

Fabco Power



Setting the Standard in Mobile Power

Instruction Manual for Model

HYDRO

500E-50HZ

10cc

Hydraulic Generator

Manufacturing of: Vehicle Mounted Generators • Hydraulic Generators

P.O. Box 582 • Chester, NY 10918 • 845-469-9151 • Fax: 845-469-7871 • Web Site/E-mail: www.fabcopower.com

GENERAL INFORMATION

MODEL: HYDRO 500E-50HZ

<i>GENERATOR..... BRUSHLESS</i>	
<i>GENERATOR..... 3000 (50 Hz)</i>	
<i>GENERATOR VOLTAGE..... 240 or 120/240</i>	
<i>MOTOR STARTING..... 300% SURGE</i>	
<i>VOLTAGE REGULATOR..... INHERENT</i>	
<i>OUTPUT..... 5000 WATTS CONTINUOUS AT 100°F OIL TEMPERATURE</i>	
<i>HYDRAULIC MOTOR..... GEAR TYPE WITH BUILT IN PRESSURE BALANCED</i>	
<i>FLOW CONTROL</i>	<i>PRESSURE COMPENSATION BY-PASS TYPE (OPYIONAL)</i>
<i>MAXIMUM SPEED..... 4200 RPM (3000 RPM IDEAL)</i>	
<i>MOTOR SHAFT..... .750 inch</i>	
<i>PORT SIZE</i>	
<i>INLET..... 1 1/16</i>	<i>- 12 S.A.E</i>
<i>RETURN..... 1 1/16</i>	<i>12 S.A.E.</i>
<i>CASE DRAIN</i>	<i>7/16 4 S.A.E.</i>

RECOMMENDATIONS

MODEL: HYDRO 500E-50HZ

HIGH PRESSURE LINE 3/4 inch

LOW PRESSURE LINE..... 1 inch

FLOW RATE 10 GPM IDEAL

*FOR BEST RESULTS KEEP HYDRAULIC OIL
TEMPERATURE BETWEEN 80°F AND 120°F.
DO NOT EXCEED 175°F.*

AN OIL COOLER IS RECOMMENDED.

MAXIMUM BACK PRESSURE 150 PSI

*WILL OPERATE ON ANY 2500 PSI OPEN CIRCUIT
OR CLOSED LOOP SYSTEMS.*

RECOMMEND FILTER 10m

RECOMMEND HYDRAULIC OIL DEXTRON III A.T.F.

INSTALLATION TIPS

Excessive pressure in your return line will damage the hydraulic motor seal. High back pressure can be caused by “spikes” sent back through the return from other equipment on a common return line. Another potential problem can develop if several pieces of equipment are connected to one “common” return line causing a high back pressure (150 PSI is the maximum). We recommend you run the return line from the generator back to the cooling tank with a separate line.

You can either run the 3/4 inch return line back to the tank or leave the 3/4 inch line connected to a common return and run a separate 3/8 inch line from the case drain (located at the bottom of the hydraulic motor) directly back to the tank. Either way you completely eliminate any problem of excessive return line pressure damaging your hydraulic motor.

Initial Installation and Start-Up

Be sure you set the hydraulic flow (GPM) to the generator at Approximately 52.5 HZ or 3150 RPM with NO electrical load on the generator.

By using this setting you will have approximately 50HZ (cycles) or 3000 RPM when you are running at full rated load.

One way this can be accomplished is by using a Photo Tachometer on our generator coupling or generator cooling fan.

A Photo Tachometer is an inexpensive tool that can be purchased at McMasters, Grainger, Sears or any other electrical supplier.

TECHNICAL INFORMATION

These self-excited and self-regulating generators, although overall dimensions have been reduced to a minimum, are designed for high-level electrical performance and the maximum in operating reliability.

PRELIMINARY CHECKS:

Before touching the machines, perform a thorough and in depth visual inspection, checking that components are correctly connected up and that no cables or terminals are broken or loose.

STARTING UP:

Make sure, when starting up, that cooling air intake and discharge openings are free and unblocked. We also recommend (when the machine operates in a dusty environment) do periodic checks to make sure it is properly ventilated

THE IMPORTANCE OF SPEED:

Frequency and voltage depend directly on rotation speed. This must be kept as constantly as possible on its nominal value no matter what the load. Drive motor speed control systems generally have a small drop in speed between no load and loaded conditions. We therefore recommend setting no load speed 3÷4% above nominal speed.

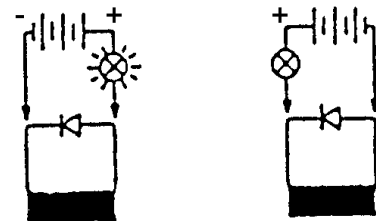
CHECKING VOLTAGE:

All the machines are regulated during factory testing. If voltage readings differ from the value indicated on the name plate, this maybe caused by a mistaken reading or by a different rotation speed and we recommend regulating motor speed in order to have nominal RPM under loaded conditions.

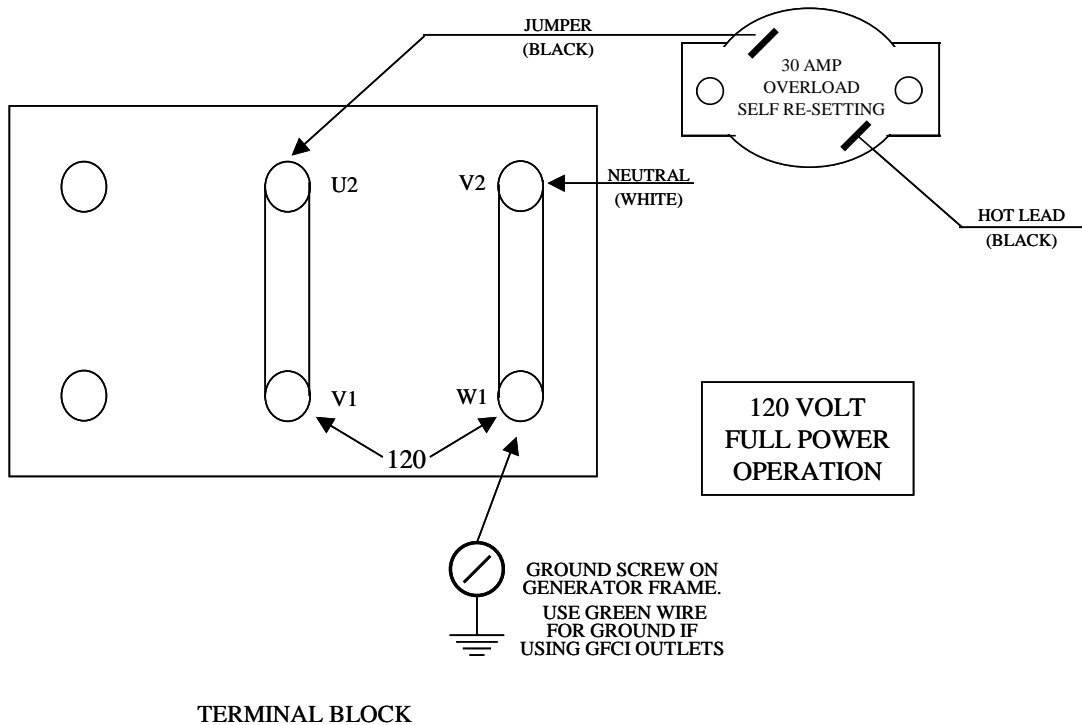
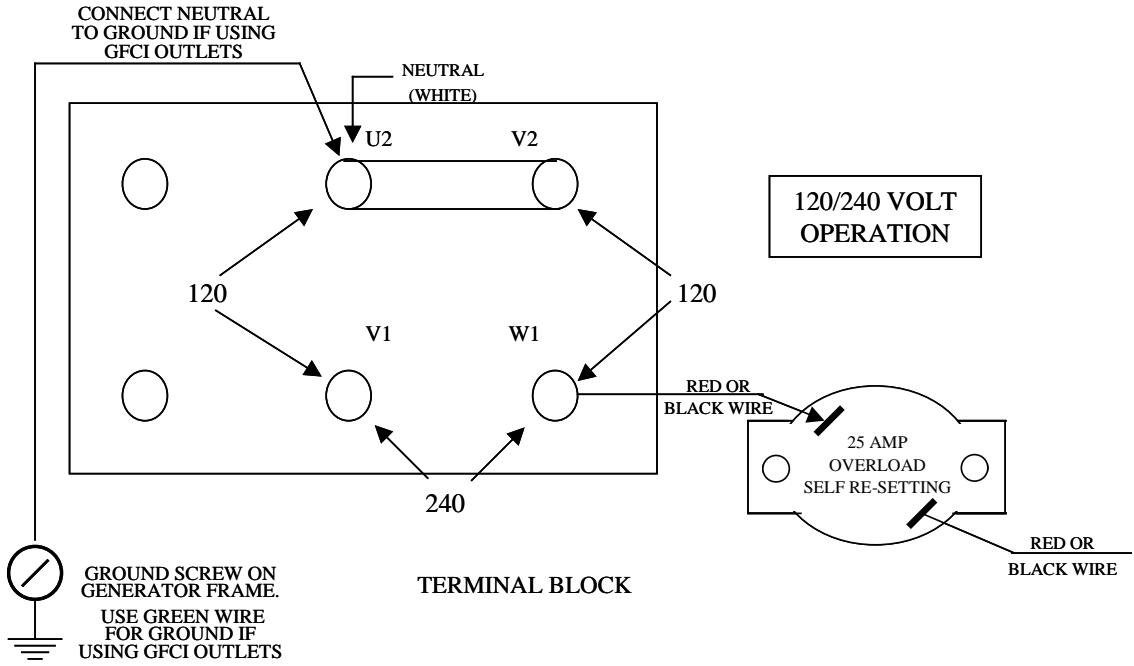
CHECKING THE DIODES:

For the ohmmeter test it is best to disconnect the diode from its circuit. Measure continuity in one direction only. The test can also be made without disconnecting the diode form the circuit, using a 12V battery and a 45 watt light bulb (automobile light) as shown in the illustration. The light should turn totally on only in one direction, as shown below.

WINDING RESISTANCE AT 20° C ROOM TEMPERATURE			
<u>Size</u>	<u>Stator Ω</u>	<u>Rotor Ω</u>	<u>Exciter Ω</u>
3.5	0.7	9.22	5.85
4.0	0.7	9.22	5.85
5.0	0.34	11.89	3.46
6.0	0.34	11.89	3.46
8.0	0.36	3.10	1.43
10.0	0.161	4.03	1.90

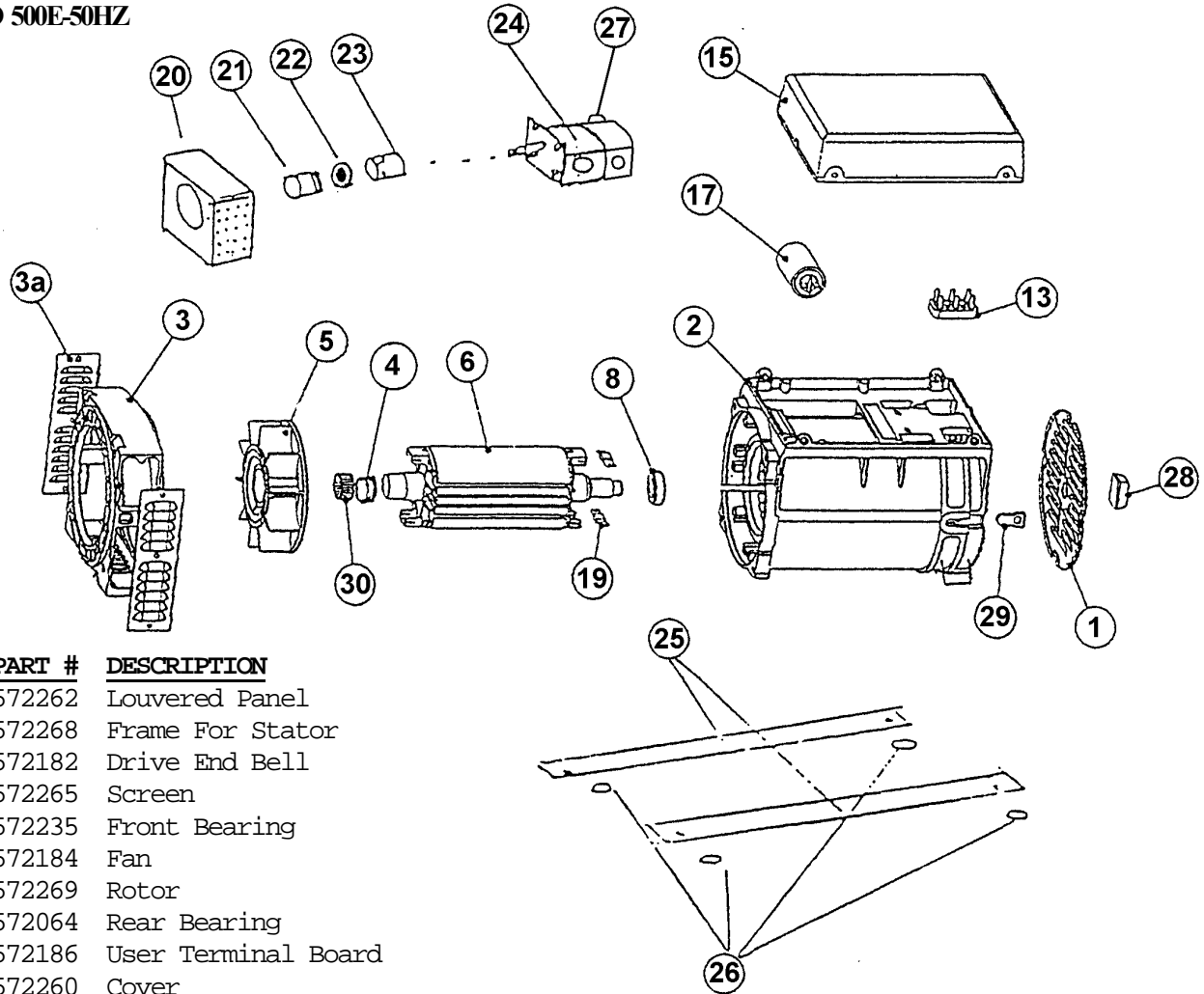


ELECTRICAL CONNECTIONS



PARTS BREAKDOWN

HYDRO 500E-50HZ



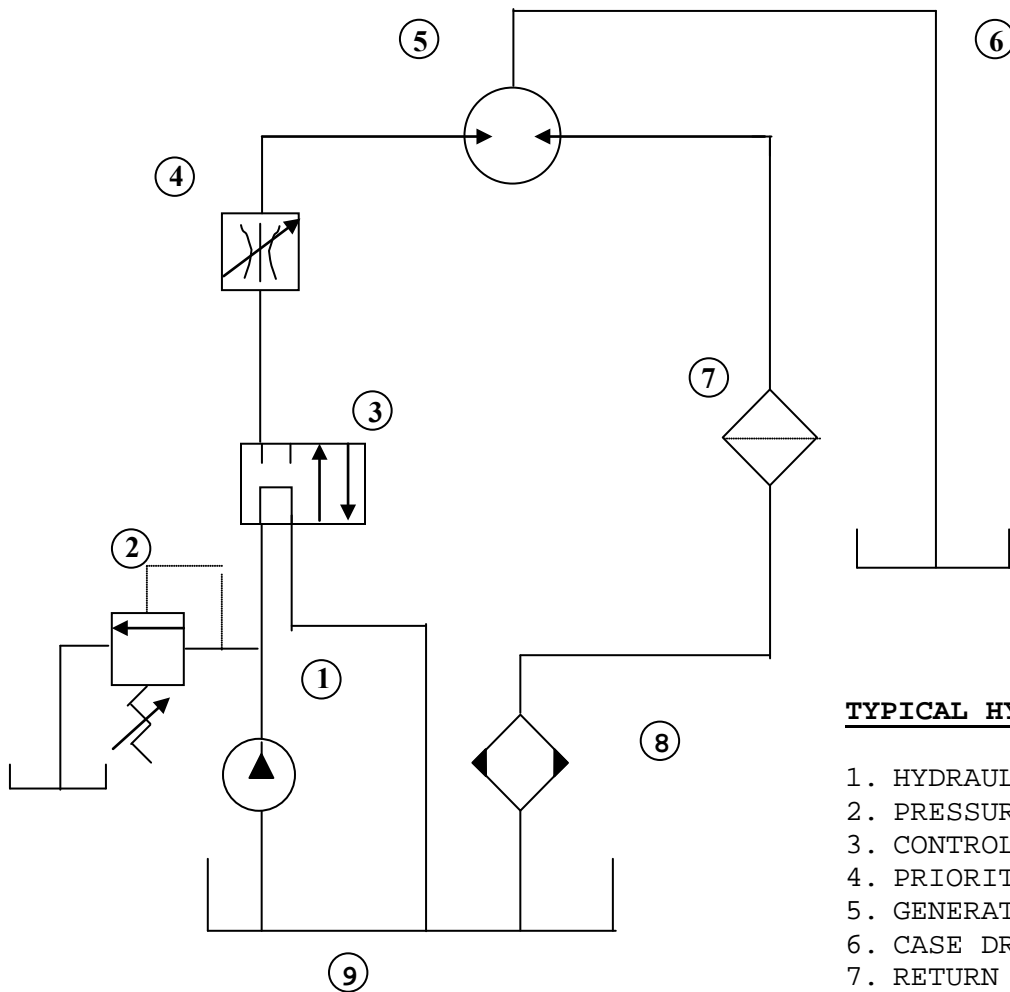
No.	PART #	DESCRIPTION
1	572262	Louvered Panel
2	572268	Frame For Stator
3	572182	Drive End Bell
3a	572265	Screen
4	572235	Front Bearing
5	572184	Fan
6	572269	Rotor
8	572064	Rear Bearing
13	572186	User Terminal Board
15	572260	Cover
17	572195	Capacitor 25 mfd/w Tie Wraps
19	572189	Diodes
20	572065	Channel
21	572066	Coupling 24mm
22	572067	Spider
23	572246	Coupling 3/4
24	572493	Motor 10cc/case drain
25	572128	Rails
26	572154	Mounts
27	572233	Flow Control Assy. (optional)
28	572261	Stud Cover
29	572263	Rubber Cup
30	572272	Fan Ring
		Seal For Hydraulic Motor
	572306	Generator Complete

PART #	OPTIONAL CONTROL PANEL
572227	Complete Control Panel
572093	Volt Meter 120V
572052	Volt Meter 220V
572054	Receptacle 120 Volt
572161	Receptacle 120/240 Volt
572226	GFI Outlet 120 Volt
572100	Waterproof Rect. Cover

TROUBLE SHOOTING

PROBLEMS	CAUSES	REMEDIES
ALTERNATOR EXCITATION FAILURE	<ol style="list-style-type: none"> 1. Low Speed 2. Faulty capacitor 3. Faulty winding 	<ol style="list-style-type: none"> 1. Check RPM and set at nominal value. 2. Check and replace. 3. Check that winding resistance is as shown in the tables.
HIGH NO-LOAD VOLTAGE	<ol style="list-style-type: none"> 1. Speed too high. 2. Capacitor with high capacity. 	<ol style="list-style-type: none"> 1. Check and adjust RPM's 2. Check and replace
LOW NO-LOAD VOLTAGE	<ol style="list-style-type: none"> 1. Speed too low. 2. Faulty rotary diodes. 3. Breakdown in windings. 4. Capacitor with high capacity. 	<ol style="list-style-type: none"> 1. Check and adjust RPM's 2. Check and replace. 3. Check winding resistance, as per tables. 4. Check and replace.
PROPER NO-LOAD BUT LOW LOADED VOLTAGE	<ol style="list-style-type: none"> 1. Low loaded speed. 2. Load too large. 3. Rotary diodes short-circuited 	<ol style="list-style-type: none"> 1. Check and regulate RPM. 2. Check and change. 3. Check and replace.
UNSTABLE VOLTAGE	<ol style="list-style-type: none"> 1. Loose contacts. 2. Uneven rotation. 	<ol style="list-style-type: none"> 1. Check connections. 2. Check for uniform rotation speed.
NOISY GENERATOR	<ol style="list-style-type: none"> 1. Broken bearings. 2. Poor couplings. 	<ol style="list-style-type: none"> 1. Replace. 2. Check and repair.

FIXED DISPLACEMENT TYPE GEAR PUMP



TYPICAL HYDRAULIC SCHEMATIC

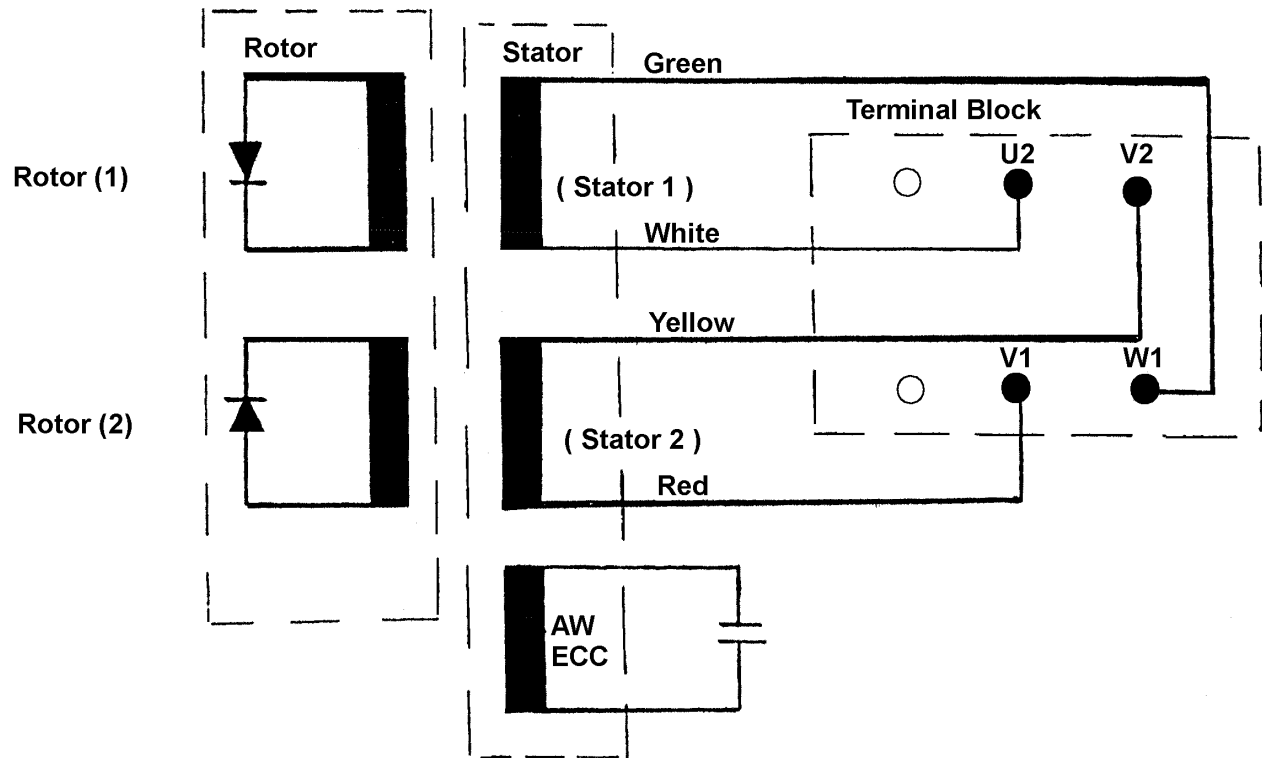
1. HYDRAULIC PUMP
2. PRESSURE RELIEF VALVE
3. CONTROL VALVE
4. PRIORITY FLOW CONTROL*
5. GENERATOR HYRAULIC MOTOR
6. CASE DRAIN LINE**
7. RETURN LINE FILTER
8. OIL COOLER
9. HYDRAULIC FLUID RESERVOIR

* Some units may be equipped with integral priority flow control, refer to specific model number.

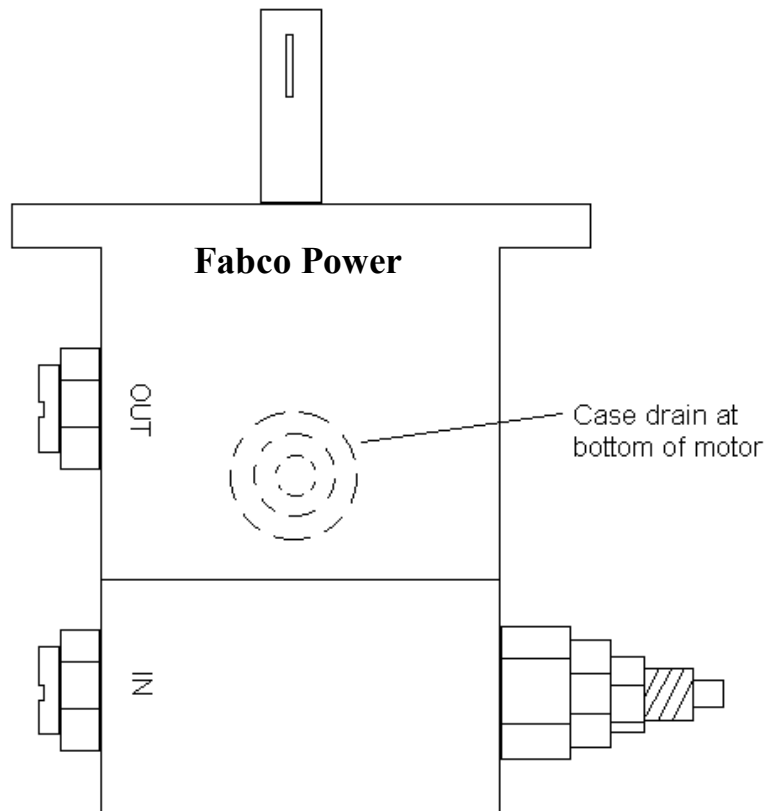
** External case drain line may be required on some units refer to specific model number.
When external case drain is required it should be unobstructed direct return to reservoir with a minimum I.D. no less than that of case drain port on generator motor.

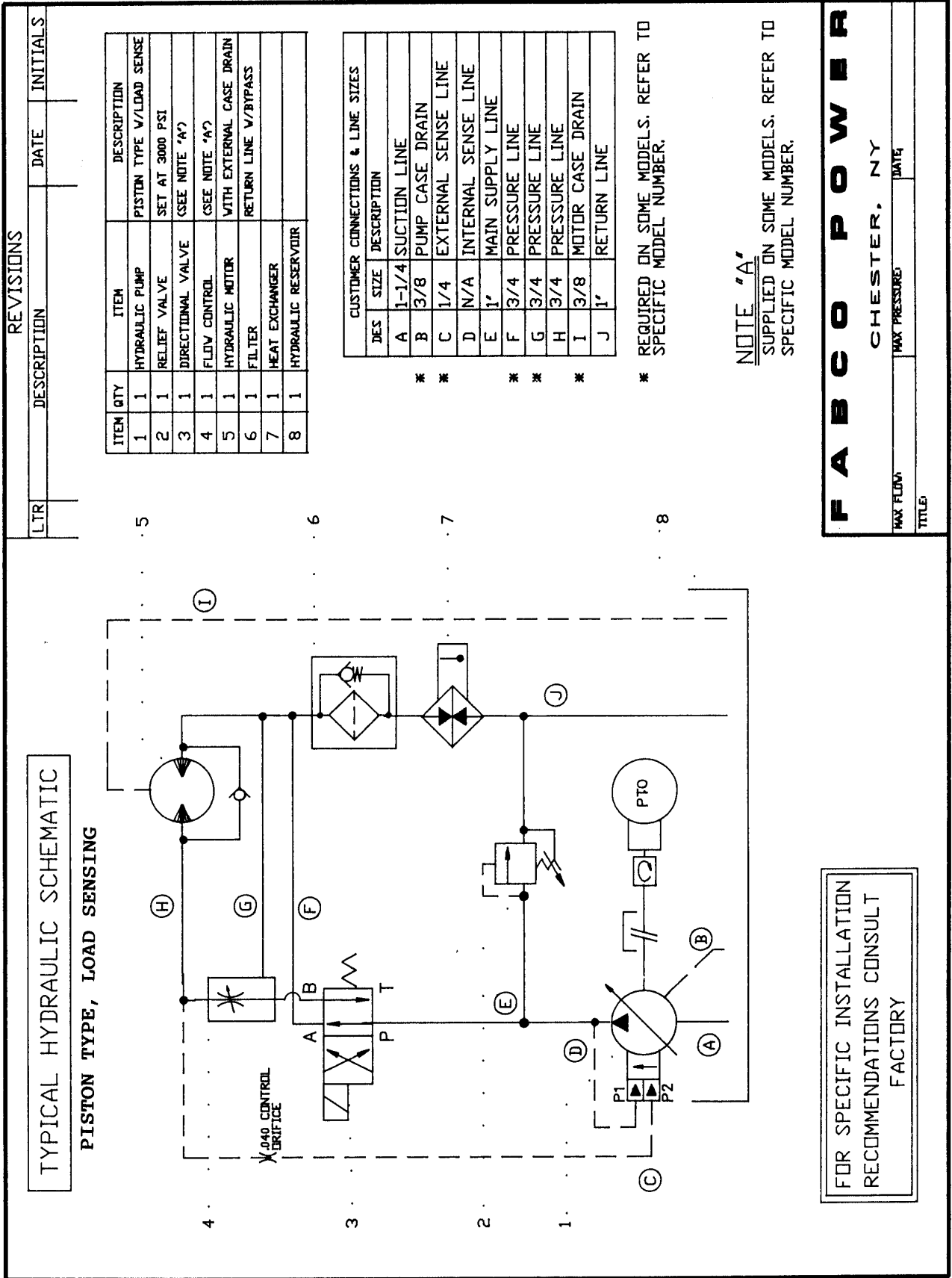
FOR SPECIFIC INSTALLATION RECOMMENDATIONS CONSULT FACTORY

BRUSHLESS GENERATOR WIRING



HYDRAULIC MOTOR HOSE HOOK-UP





F A B C O P O W E R

CHESTER, NY

MAX FLOW:	DATE:
MAX PRESSURE:	TITLE:

